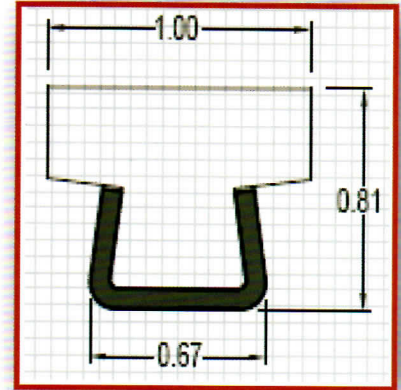
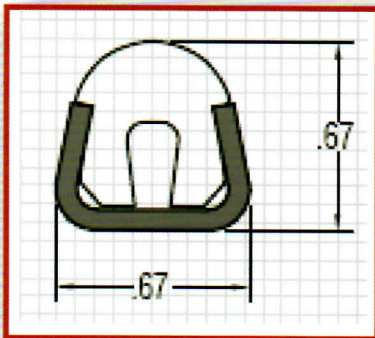




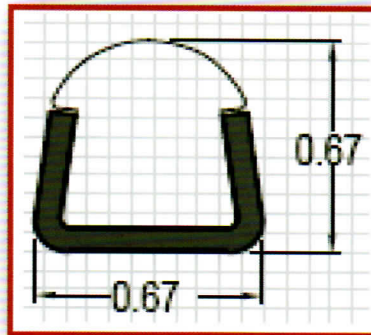
Stainless Steel Guide Rails UHMW/PE



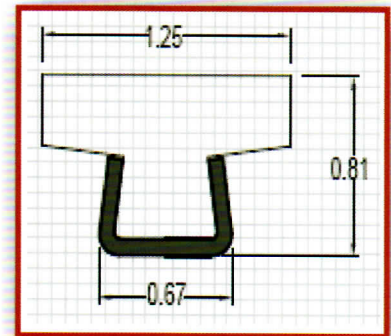
RS-300-81100-F



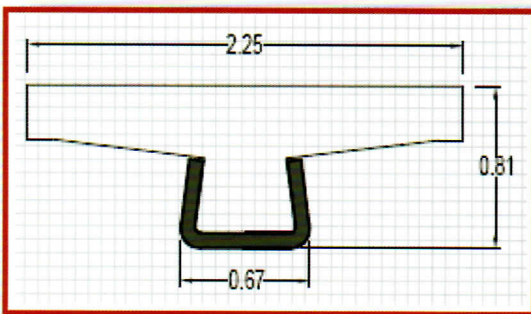
RL-100-6767-R



RS-200-6767-R



RS-400-81125-F



RS-500-81225-F

- Low friction, wear resistant, non-marring guide and support
- Noise reducing ultra smooth surface finish - no Ram lines
- Easily welded in place with 14 gauge sheath
- USDA and FDA compliant Manufactured using 304 stainless steel
- Standard material is white UHMW/PE cut to 10' or 20' lengths.

C&M COATINGS, INC.
Conveyor Roller Covers and Coatings

1730 Airpark Drive / Grand Haven, MI 49417
P: 616-842-1925 / F: 616-842-1102
cmcoatings@sbcglobal.com